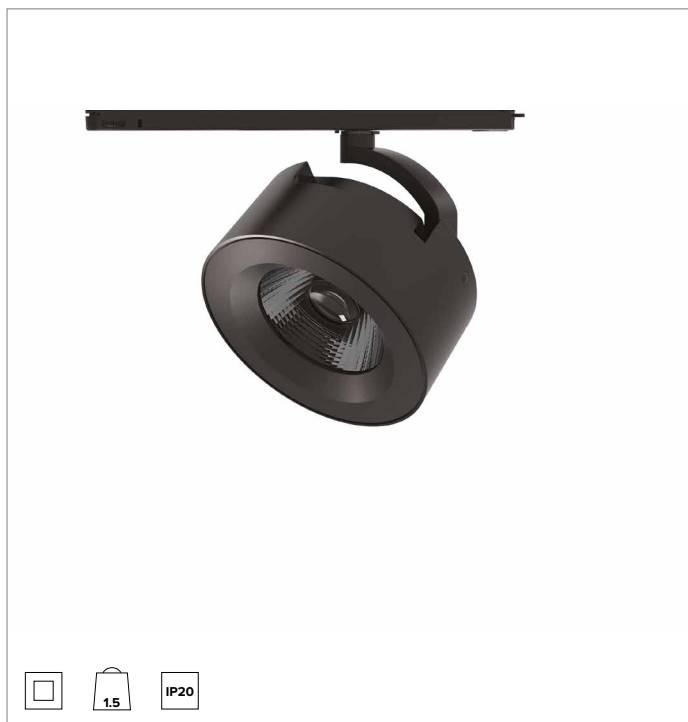
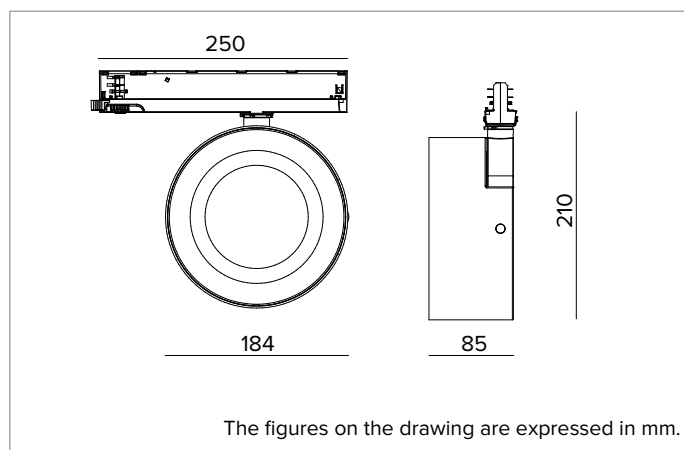


T043SPH930ELDB | ZENO 180

Professional adjustable LED projector



		3000K	H(m)	D(m)	Emax(lx)
		Ra90		17°	
Fixture Power	57W	1	0.30	32570	
Source Flux	6061lm	2	0.60	8143	
Fixture Flux	3425lm	3	0.89	3619	
Efficacy	60lm/W	4	1.19	2036	
TS1228	I _{max} =5374cd/klm	I _{max}	32570cd	5	1.49
					1303



SOURCE

High efficiency Chip on Board LED Ra90. Ra97 on request.

Energy efficiency class: E

Nominal power: 49W

Nominal flux: 6061lm

Colour rendering index: 90

Rf: 92

Rg: 101

CCT nominal: 3000K

Lifetime (L80/B10): >50000h tq +25°C

ILLUMINOTECHNICAL CHARACTERISTICS

Spot version with hybrid optics composed of a specular anodised aluminium reflector, an optical glass lens, a black anodised aluminium lens holder and a PMMA holographic screen.

Optic: HYBRID

Beam angles: SP

Optical efficiency: 57%

Fixture flux: 3425lm

Luminous efficacy: 60lm/W

Photobiological safety: Compliant with RG1 low risk group

MECHANICAL CHARACTERISTICS

Die-cast painted aluminium optical unit. The optical unit can be adjusted from 0 to -90° on the vertical plane; and 355° on the horizontal plane with aiming blocking system.

Colour and finish: Deep black

Weight: 1.5Kg

Degree of protection: IP20

ELECTRICAL CHARACTERISTICS

ON-OFF electronic driver integrated into the track adapter.

Fixture Power: 57W

Power supply: 220-240Vac 50/60Hz

Insulation Class: CLASS 2

Type of driver / Control: ON-OFF

Driver included: YES

Class F: YES

Ambient temperature: 0°C / +25°C

INSTALLATION

Electrified track mounting.

WARRANTY

5 years.

Due to the technological evolution of the electronic components, the data provided may be updated, and as such, confirmation must be requested during the order process.

Luminous flux and power supply have +/-10% tolerances with respect to the indicated value. tq +25°C (CIE 121).

We reserve the right to make technical changes.

Targetti Sankey S.r.l.
Via Pratese, 164
50145 Firenze - Italy
Tel: +39 055 37911
targetti.com
targetti@targetti.com

CCIAA Firenze
Share Capital:
€ 500.000,00
VAT N. (IT):
01537660480
R.E.A: FI-275656

TARGETTI